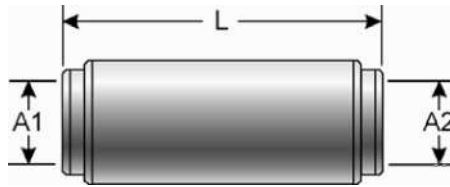
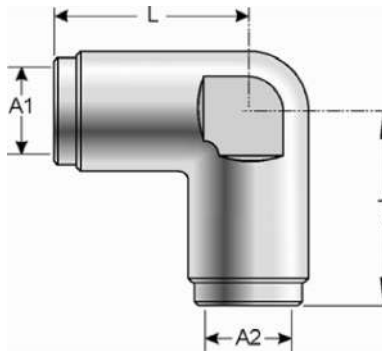


Air Brake Union



Descr.	Prod. No.	A1	A2	L		Weight (Lbs.)
		"	"	"	mm	
2.5AB-2.5AB	7250-01915	5/32	5/32	1.18	30.0	.10
2AB-2AB	7250-15135	1/8	1/8	1.15	27.2	.08
3AB-3AB	7250-15145	3/16	3/16	1.36	24.5	.05
4AB-4AB	7250-01875	1/4	1/4	1.40	35.6	.06
6AB-4AB	7250-15155	3/8	1/4	1.71	43.4	.12
6AB-6AB	7250-01885	3/8	3/8	1.74	44.2	.20
8AB-6AB	7250-15165	1/2	3/8	1.91	48.5	.18
8AB-8AB	7250-01895	1/2	1/2	2.01	51.1	.25
10AB-10AB	7250-01905	5/8	5/8	2.42	61.5	.32
12AB-12AB	7250-15175	3/4	3/4	2.48	63.0	.44

Air Brake Union - 90°

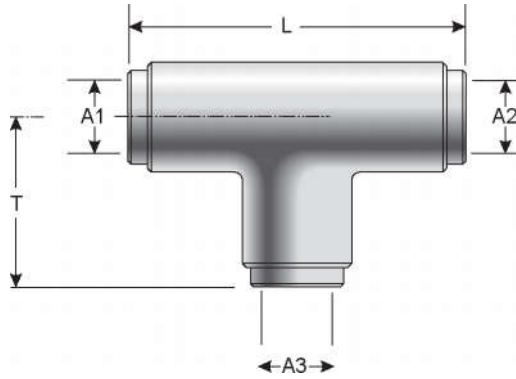


Descr.	Prod. No.	A1	A2	T		L		Weight (Lbs.)
		"	"	"	mm	"	mm	
4AB-4AB90	7250-01925	1/4	1/4	.83	21.1	.83	21.1	.08
6AB-6AB90	7250-01935	3/8	3/8	1.07	27.2	1.07	27.2	.14
8AB-8AB90	7250-01945	1/2	1/2	1.26	32.0	1.26	32.0	.20
10AB-10AB90	7250-15185	5/8	5/8	1.48	37.6	1.61	40.9	.50

HOSE
HOSE/CPLG. SELECTION
G8K COUPLINGS
GLOBALSPIRAL COUPLINGS
PCM / PCS FERRULES
MEGACRIMP COUPLINGS
STAINLESS STEEL
POWER CRIMP COUPLINGS
LOC, GL AND GLP COUPLINGS
POLARSEAL COUPLINGS
POLARSEAL II COUPLINGS
C14 COUPLINGS
PCTS THERMOPLASTIC COUPLINGS
FIELD ATTACHABLE G1 & G2 COUPLINGS
FIELD ATTACHABLE C5 & C5E COUPLINGS
SURELOK AIR BRAKE COUPLINGS
ADAPTERS
QUICK DISCONNECT COUPLERS
LIVE SWIVEL
BALL VALVES
ACCESSORIES
EQUIPMENT AND PARTS

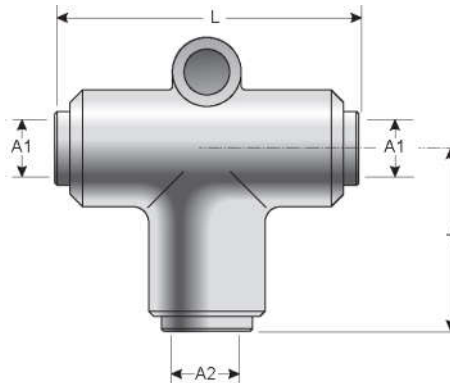
HOSE
HOSE/CPLG. SELECTION
G8K COUPLINGS
GLOBAL SPIRAL COUPLINGS
PCM / PCS FERRULES
MEGACRIMP COUPLINGS
STAINLESS STEEL
POWER CRIMP COUPLINGS
LOC, GL AND GLP COUPLINGS
POLARSEAL COUPLINGS
POLARSEAL II COUPLINGS
C14 COUPLINGS
PCTS THERMOPLASTIC COUPLINGS
FIELD ATTACHABLE G1 & G2 COUPLINGS
FIELD ATTACHABLE C5 & C5E COUPLINGS
SURELOK AIR BRAKE COUPLINGS
ADAPTERS
QUICK DISCONNECT COUPLERS
LIVE SWIVEL
BALL VALVES
ACCESSORIES
EQUIPMENT AND PARTS

Air Brake Union - Tee



Descr.	Prod. No.	A1	A2	A3	T		L		Weight (Lbs.)
		"	"	"	"	mm	"	mm	
2AB-2AB-2AB	7250-15195	1/8	1/8	1/8	.63	16.0	1.26	32.0	.02
3AB-3AB-3AB	7250-15205	3/16	3/16	3/16	.72	18.3	1.44	36.9	.06
4AB-4AB-4AB	7250-01955	1/4	1/4	1/4	.93	23.6	1.65	41.9	.08
6AB-4AB-4AB	7250-15295	3/8	1/4	1/4	.93	23.6	2.01	51.1	.85
6AB-6AB-4AB	7250-15245	3/8	3/8	1/4	.93	23.6	2.17	55.1	.18
6AB-6AB-6AB	7250-01965	3/8	3/8	3/8	1.07	27.2	2.13	54.1	.18
6AB-6AB-8AB	7250-15255	3/8	3/8	1/2	1.28	32.5	2.36	59.9	.30
8AB-6AB-6AB	7250-15305	1/2	3/8	3/8	1.18	30.0	2.46	62.5	.32
8AB-8AB-4AB	7250-15265	1/2	1/2	1/4	.98	24.9	2.52	64.0	.28
8AB-8AB-6AB	7250-15275	1/2	1/2	3/8	1.22	31.0	2.44	62.0	.30
8AB-8AB-8AB	7250-01975	1/2	1/2	1/2	1.26	32.0	2.53	64.3	.28
10AB-8AB-10AB	7250-15285	5/8	1/2	5/8	1.56	39.6	3.01	76.5	.68
10AB-10AB-10AB	7250-15215	5/8	5/8	5/8	1.54	39.1	3.07	78.0	.66
12AB-12AB-12AB	7250-15225	3/4	3/4	3/4	1.56	39.6	3.12	79.3	.78

Air Brake Union - Tee with Mounting Hole



Descr.	Prod. No.	A1	A2	T		L		Weight (Lbs.)
		"	"	"	mm	"	mm	
6AB-6AB-8ABMH	7250-15315	3/8	3/8	1.42	36.1	2.36	59.9	.48