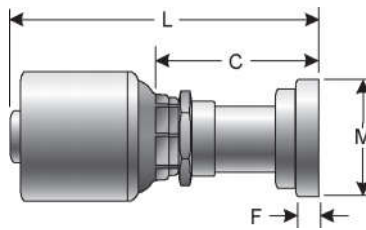


HOSE
HOSE/CPLG. SELECTION
G8K COUPLINGS
GLOBALSPIRAL COUPLINGS
PCM / PCS FERRULES
<b>MEGACRIMP COUPLINGS</b>
STAINLESS STEEL
POWER CRIMP COUPLINGS
LOC, GL AND GLP COUPLINGS
POLARSEAL COUPLINGS
POLARSEAL II COUPLINGS
C14 COUPLINGS
PCTS THERMOPLASTIC COUPLINGS
FIELD ATTACHABLE G1 & G2 COUPLINGS
FIELD ATTACHABLE C5 & C5E COUPLINGS
SURELOK AIR BRAKE COUPLINGS
ADAPTERS
QUICK DISCONNECT COUPLERS
LIVE SWIVEL
BALL VALVES
ACCESSORIES
EQUIPMENT AND PARTS

### Komatsu O-Ring Flange - Straight



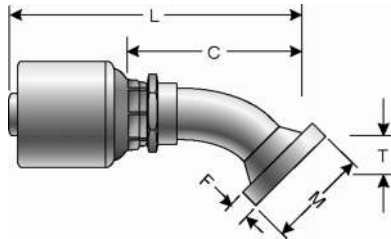
Descr.	Prod. No.	⊖		M		L		C		F		Weight (Lbs.)
		"	mm	"	mm	"	mm	"	mm	"	mm	
8G-10FLK	7100-03805	1/2	12.7	1.35	34.3	3.15	80.0	1.67	42.5	.27	6.9	.45

HOSE
HOSE/CPLG. SELECTION
G8K COUPLINGS
GLOBAL SPIRAL COUPLINGS
PCM / PCS FERRULES
MEGACRIMP COUPLINGS
STAINLESS STEEL
POWER CRIMP COUPLINGS
LOC, GL AND GLP COUPLINGS
POLAR SEAL COUPLINGS
POLAR SEAL II COUPLINGS
C14 COUPLINGS
PCTS THERMOPLASTIC COUPLINGS
FIELD ATTACHABLE G1 & G2 COUPLINGS
FIELD ATTACHABLE C5 & C5E COUPLINGS
SURELOK AIR BRAKE COUPLINGS
ADAPTERS
QUICK DISCONNECT COUPLERS
LIVE SWIVEL
BALL VALVES
ACCESSORIES
EQUIPMENT AND PARTS

Komatsu O-Ring Flange - Straight - Continued

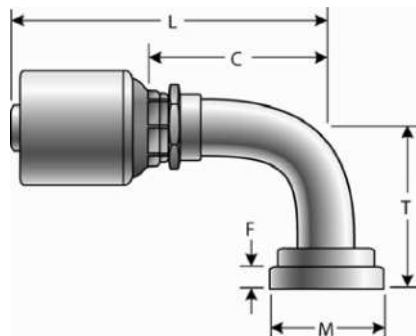
Descr.	Prod. No.	⊖		M		L		C		F		Weight (Lbs.)
		"	mm	"	mm	"	mm	"	mm	"	mm	
10G-10FLK	7100-03825	5/8	15.9	1.35	34.3	4.69	119.0	3.21	81.5	.27	6.9	.48

Komatsu O-Ring Flange - 45° Bent Tube



Descr.	Prod. No.	⊖		M		T		L		C		F		Weight (Lbs.)
		"	mm	"	mm	"	mm	"	mm	"	mm	"	mm	
10G-10FLK45	7100-04155	5/8	15.9	1.35	34.3	1.02	26.0	4.19	106.5	2.72	69.0	.27	6.9	.51

Komatsu O-Ring Flange - 90° Bent Tube



Descr.	Prod. No.	⊖		M		T		L		C		F		Weight (Lbs.)
		"	mm	"	mm	"	mm	"	mm	"	mm	"	mm	
10G-10FLK90	7100-04475	5/8	15.9	1.35	34.3	2.17	55.0	3.90	99.0	2.42	61.5	.27	6.9	.55